

Measuring for Installation of a Big Air Bimini Top

Bimini Top installation consists of two steps:

- (1) Assembly of the tubing hardware
- (2) Attachment of the fabric top.

When you ordered your bimini top, you provided specific information concerning your tower.

There are 5 important dimensions that determine the proper size of the bimini top.

Those dimensions are what we call "CR", "CF", "X", "Y", and "Z".

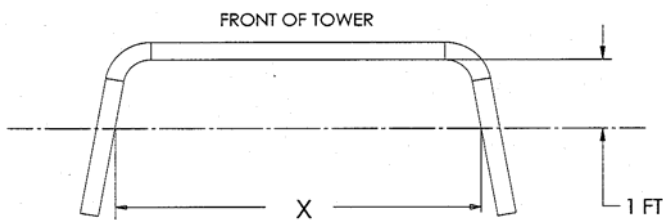
Take a moment to confirm these measurements.

"X" is the distance between the front tower tubes one foot below the top of the tower.

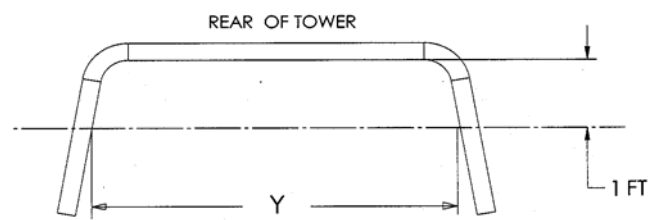
"Y" is the distance between the rear tower tubes one foot below the top of the tower.

"Z" is the distance between the front and rear tower tubes one foot below the top of the tower.

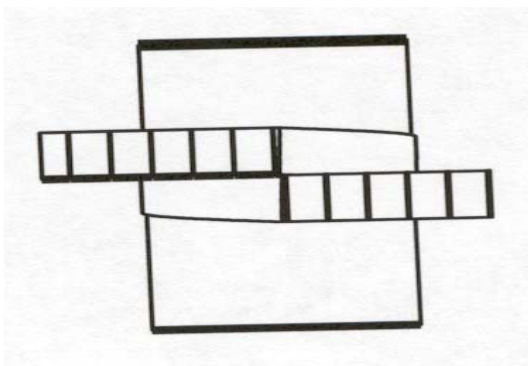
"CF" and "CR" are the circumference of the tower tubes, front and rear.



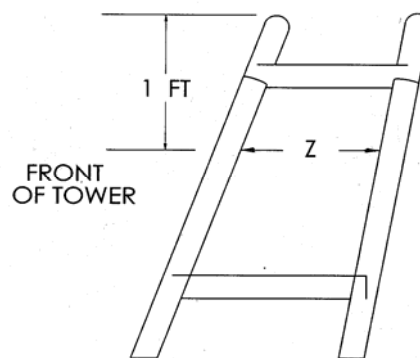
"X" measurement



"Y" measurement



"CF" and "CR" measurement



"Z" measurement